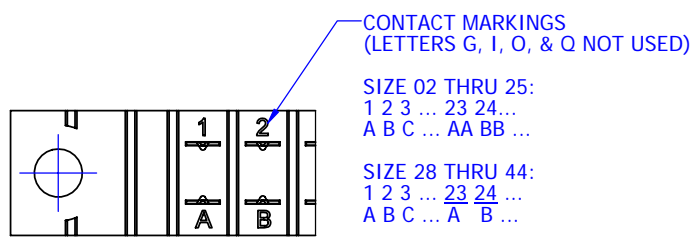
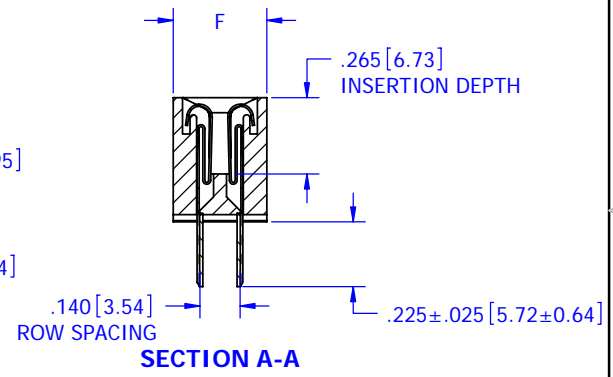
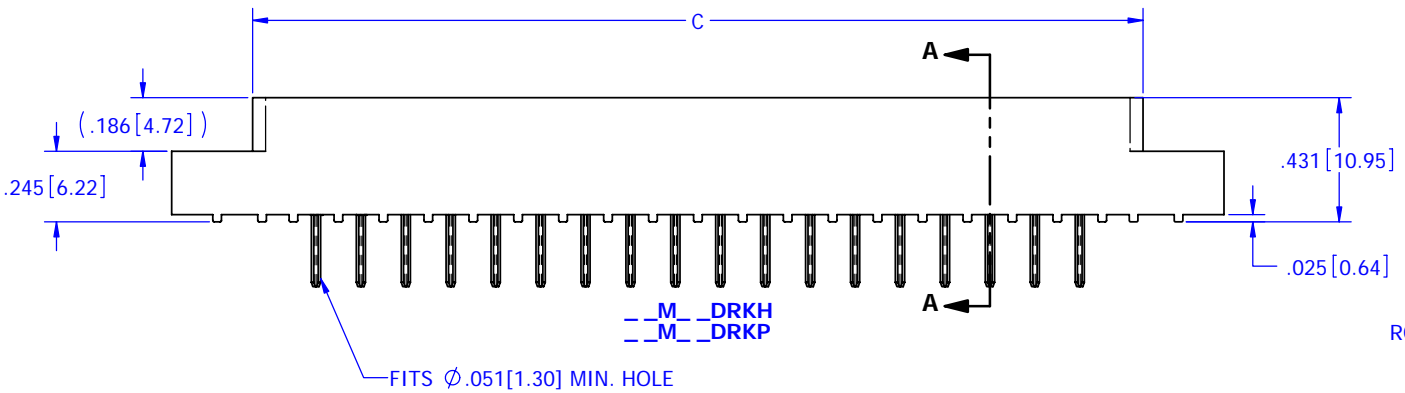
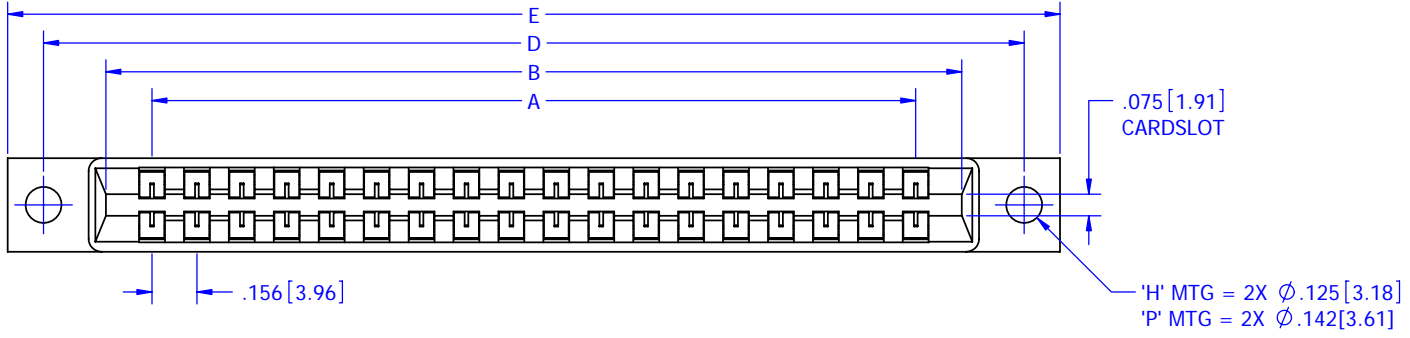


REVISIONS				
REV.	ECO. NO	DESCRIPTION	DATE	BY
A	1741	INITIAL RELEASE	3/7/2008	MNH



- NOTES:**
- INSULATOR MATERIAL: SEE PART NUMBER CODING.
 - CONTACT MATERIAL: SEE PART NUMBER CODING.
 - PLATING: SEE PART NUMBER CODING.
 - TEMPERATURE: SEE PART NUMBER CODING.
 - PROCESSING TEMP: SEE PART NUMBER CODING.
 - UL FLAMMABILITY RATING: 94V-0.
 - VOLTAGE RATING: 1800 VDC MINIMUM AT SEA LEVEL.
 - CURRENT RATING: SEE PART NUMBER CODING.
 - VOLTAGE DROP: 30 MILLI VOLT AT RATED CURRENT.
 - INSULATION RESISTANCE: 5000 MEGA OHMS.
 - CONNECTOR IDENTIFICATION: THE PART SHALL BE MARKED WITH A PART NUMBER AND BARCODE.
 - BOARD THICKNESS ACCOMMODATED: .062 ± .008 [1.57 ± 0.20].
 - BOARD INSERTION FORCE: 16 OZ MAX PER CONTACT PAIR WHEN USING A .062 [1.57] TEST BLADE. INTERNAL INSPECTION TO BE PER SULLIN'S WORK INSTRUCTION W17.3-01.
 - BOARD WITHDRAWAL FORCE: 1 OUNCE MINIMUM PER CONTACT PAIR USING .062 [1.57] PCB.
 - MATERIAL COLOR VARIATIONS:
 - ADD -S38 TO END OF PART NUMBER FOR BLACK PBT (MATERIAL CODE E AND H ONLY).
 - ADD -S81 TO END OF PART NUMBER FOR GREEN PBT (MATERIAL CODE E AND H ONLY).
 - ADD -S328 TO END OF PART NUMBER FOR BROWN PPS (MATERIAL CODE R AND A ONLY).

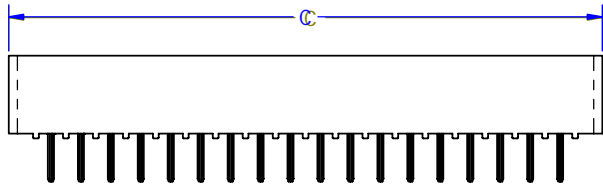
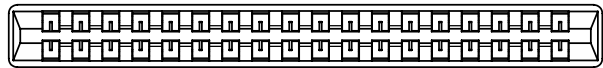
CUSTOMER COPY



UNLESS OTHERWISE SPECIFIED:
DIMENSIONS ARE IN INCHES[MM]
TOLERANCES:
ANGULAR: ± 30'
XX ± .02 [508]
XXX ± .005 [1270]
XXXX ± .0005 [0127]
SURFACE FINISH: 6.3 Ra
REMOVE ALL BURRS AND SHARP EDGES .010 MAX

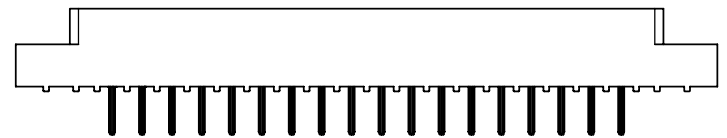
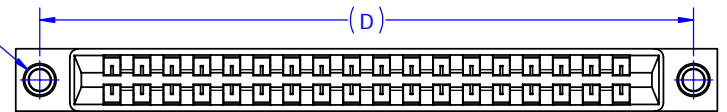
INTERPRET DIMENSIONS AND GEOMETRIC TOLERANCING PER: ANSI Y14.5M-1994

DATE	NAME	
DRAWN	MNH	
THE INFORMATION HEREIN CONTAINS PROPRIETARY INFORMATION OF SULLINS ELECTRONICS AND IS NOT TO BE REPRODUCED, USED OR DISCLOSED TO OTHERS FOR ANY PURPOSE EXCEPT AS SPECIFICALLY AUTHORIZED IN WRITING BY AN OFFICER OF SULLINS ELECTRONICS.		
DESCRIPTION		EDGECARD, .156 CC, LP
PART NUMBER		M_DRK
SIZE	DWG. NO.	REV
C	C11120	A
SCALE: 3:1		SHEET 1 OF 3



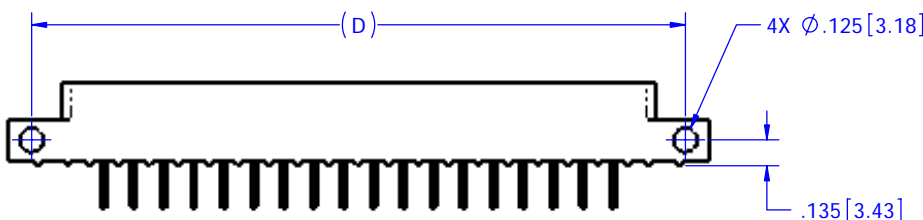
--M_DRKN

2X #4-40
THREADED
INSERTS

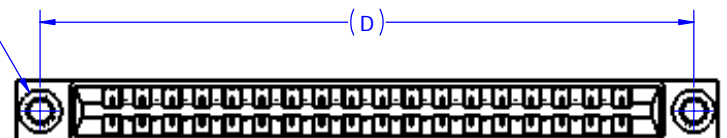


--M_DRKI

2X FLOATING BOBBIN
Ø.116 [2.95] CLEARANCE
FOR # 4 SCREW

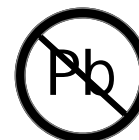


--M_DRKS



--M_DRKF

CUSTOMER COPY



RoHS COMPLIANT

UNLESS OTHERWISE SPECIFIED:
DIMENSIONS ARE IN INCHES[MM]
TOLERANCES:
ANGULAR: ± 30'
XX ± .02 [508]
XXX ± .005 [1270]
XXXX ± .0005 [0127]
SURFACE FINISH: 63 Ra
REMOVE ALL BURRS AND SHARP EDGES .010 MAX

INTERPRET DIMENSIONS AND GEOMETRIC TOLERANCING PER: ANSI Y14.5M-1994

DRAWN	DATE	NAME	
MNH			
<small>THE INFORMATION HEREIN CONTAINS PROPRIETARY INFORMATION OF SULLINS ELECTRONICS AND IS NOT TO BE REPRODUCED, USED OR DISCLOSED TO OTHERS FOR ANY PURPOSE EXCEPT AS SPECIFICALLY AUTHORIZED IN WRITING BY AN OFFICER OF SULLINS ELECTRONICS.</small>			DESCRIPTION
PART NUMBER			EDGE CARD, .156 CC, LP
SIZE			M_DRK
DWG. NO.		REV	
C		C11120	A
SCALE: 2:1			SHEET 2 OF 3

PART NUMBER	NO. OF POS.	A ± .008[0.20]		B ± .008[0.20]		C ± .015[0.38]		D ± .010[0.25]		E ± .020[0.51]		E ± .020[0.51]		F ± .005[0.13]			
		IN	MM	IN	MM	IN	MM	IN	MM	IN	MM	IN	MM	IN	MM		
M02DRKN	2	0.156	3.96	0.476	12.09	0.596	15.14	"N" MOUNTING								0.325	8.26
M03DRKN	3	0.312	7.92	0.632	16.05	0.752	19.10										
M06DRK	6	0.780	19.81	1.100	27.94	1.220	30.99	1.533	38.94	1.782	45.26	1.882	47.80				
M08DRK	8	1.092	27.74	1.412	35.86	1.532	38.91	1.845	46.86	2.094	53.19	2.194	55.73				
M10DRK	10	1.404	35.66	1.724	43.79	1.844	46.84	2.157	54.79	2.406	61.11	2.506	63.65				
M11DRK	11	1.560	39.62	1.880	47.75	2.000	50.80	2.313	58.75	2.562	65.07	2.662	67.61				
M12DRK	12	1.716	43.59	2.036	51.71	2.156	54.76	2.469	62.71	2.718	69.04	2.818	71.58				
M15DRK	15	2.184	55.47	2.504	63.60	2.624	66.65	2.937	74.60	3.186	80.92	3.286	83.46				
M18DRK	18	2.652	67.36	2.972	75.49	3.092	78.54	3.405	86.49	3.654	92.81	3.754	95.35				
M22DRK	22	3.276	83.21	3.596	91.34	3.716	94.39	4.029	102.34	4.278	108.66	4.378	111.20				
M24DRK	24	3.588	91.14	3.908	99.26	4.028	102.31	4.341	110.26	4.590	116.59	4.690	119.13				
M25DRK	25	3.744	95.10	4.064	103.23	4.184	106.27	4.497	114.22	4.746	120.55	4.846	123.09				
M28DRK	28	4.212	106.98	4.532	115.11	4.652	118.16	4.965	126.11	5.214	132.44	5.314	134.98				
M36DRK	36	5.460	138.68	5.780	146.81	5.900	149.86	6.213	157.81	6.462	164.13	6.562	166.67				
M43DRK	43	6.552	166.42	6.872	174.55	6.992	177.60	7.305	185.55	7.554	191.87	7.654	194.41				
M44DRK	44	6.708	170.38	7.028	178.51	7.148	181.56	7.461	189.51	7.710	195.83	7.810	198.37				

Only applies for PPS/PEEK inRTlators with threaded inRTrts or floats

PART NUMBER CODING

MATERIAL (INSULATOR/CONTACT)

E = PBT/PHOSPHOR BRONZE
 OPERATING TEMP: -65°C TO +125°C @ 3 AMPS PER CONTACT
 OPERATING TEMP: -65°C TO +21°C @ 5 AMPS PER CONTACT
 PROCESSING TEMP: 260°C FOR 10 SECS MAX

R = PPS/PHOSPHOR BRONZE
 OPERATING TEMP: -65°C TO +125°C
 PROCESSING TEMP: 260°C FOR 120 SECS MAX
 CURRENT RATING PER CONTACT: 5 AMPS

G = PA9T/PHOSPHOR BRONZE
 OPERATING TEMP: -65°C TO +125°C
 PROCESSING TEMP: 260°C FOR 120 SECS MAX
 CURRENT RATING PER CONTACT: 5 AMPS

H = PBT/BERYLLIUM COPPER
 OPERATING TEMP: -65°C TO +125°C @ 3 AMPS PER CONTACT
 OPERATING TEMP: -65°C TO +105°C @ 5 AMPS PER CONTACT
 PROCESSING TEMP: 260°C FOR 10 SECS MAX

A = PPS/BERYLLIUM COPPER
 OPERATING TEMP: -65°C TO +150°C
 PROCESSING TEMP: 260°C FOR 120 SECS MAX
 CURRENT RATING PER CONTACT: 5 AMPS

J = PA9T/BERYLLIUM COPPER
 OPERATING TEMP: -65°C TO +150°C
 PROCESSING TEMP: 260°C FOR 120 SECS MAX
 CURRENT RATING PER CONTACT: 5 AMPS

F = PPS/SPINODAL (CONSULT FACTORY)
 AVAILABLE IN OVERALL GOLD ONLY (S OR M PLATING CODE)
 OPERATING TEMP: -65°C TO +200°C
 PROCESSING TEMP: 260°C FOR 120 SECS MAX
 CURRENT RATING PER CONTACT: 3 AMPS

C = PPS/BERYLLIUM COPPER (CONSULT FACTORY)
 AVAILABLE IN OVERALL GOLD ONLY (S OR M PLATING CODE)
 OPERATING TEMP: -65°C TO +200°C @ 2 AMPS PER CONTACT
 OPERATING TEMP: -65°C TO +173°C @ 3 AMPS PER CONTACT
 PROCESSING TEMP: 260°C FOR 120 SECS MAX

W = PEEK/BERYLLIUM COPPER (CONSULT FACTORY)
 AVAILABLE IN OVERALL GOLD ONLY (S OR M PLATING CODE)
 OPERATING TEMP: -65°C TO +250°C
 CURRENT RATING PER CONTACT: 3 AMPS
 (CONSULT FACTORY FOR OTHER MATERIALS)

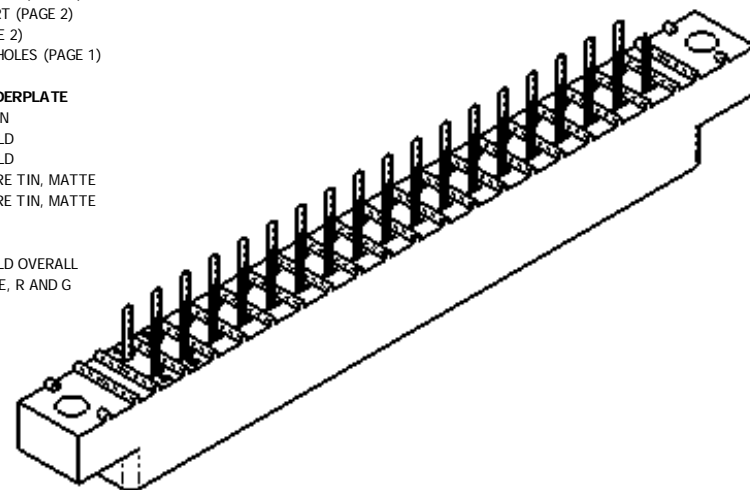
MOUNTING STYLE

H = .125" DIA. CLEARANCE HOLES (PAGE 1)
 N = NO MOUNTING EARS (PAGE 2)
 S = .125" DIA. SIDE MOUNTING (PAGE 2)
 I = #4-40 THREADED INSERT (PAGE 2)
 F = FLOATING BOBBIN (PAGE 2)
 P = .142" DIA. CLEARANCE HOLES (PAGE 1)

NUMBER OF POSITIONS (CONTACTS PER ROW)

PLATING
 ALL PLATINGS ARE LEAD FREE AND HAVE .000050" NICKEL UNDERPLATE

CONTACT SURFACE	TERMINATION
G = .000010" GOLD	.000005" GOLD
Y = .000030" GOLD	.000005" GOLD
B = .000010" GOLD	.000100" PURE TIN, MATTE
C = .000030" GOLD	.000100" PURE TIN, MATTE
** E = .000100" PURE TIN, MATTE, OVERALL	
S = .000010" GOLD OVERALL	.000010" GOLD OVERALL
M = .000030" GOLD	
** OVERALL TIN ONLY AVAILABLE ON MATERIAL CODES E, R AND G	



CUSTOMER COPY



RoHS COMPLIANT

UNLESS OTHERWISE SPECIFIED:
 DIMENSIONS ARE IN INCHES[MM]
 TOLERANCES:
 ANGULAR: ± 30'
 XX ± .02 [508]
 XXX ± .005 [1270]
 XXXX ± .0005 [0127]
 SURFACE FINISH: 63 Rz
 REMOVE ALL BURRS AND SHARP EDGES .010 MAX

INTERPRET DIMENSIONS AND GEOMETRIC TOLERANCING PER: ANSI Y14.5M-1994

DRAWN	DATE	NAME	
		MNH	
<small>THE INFORMATION HEREIN CONTAINS PROPRIETARY INFORMATION OF SULLINS ELECTRONICS AND IS NOT TO BE REPRODUCED, USED OR DISCLOSED TO OTHERS FOR ANY PURPOSE EXCEPT AS SPECIFICALLY AUTHORIZED IN WRITING BY AN OFFICER OF SULLINS ELECTRONICS.</small>			DESCRIPTION
PART NUMBER			EDGE CARD, .156 CC, LP
M DRK			
SIZE	DWG. NO.	REV	
C	C11120	A	
SCALE: 3:1		SHEET 3 OF 3	